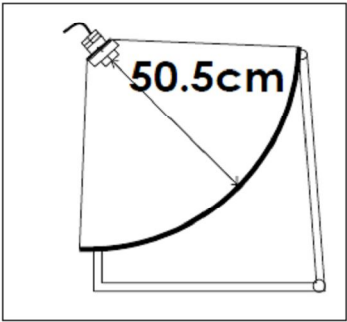
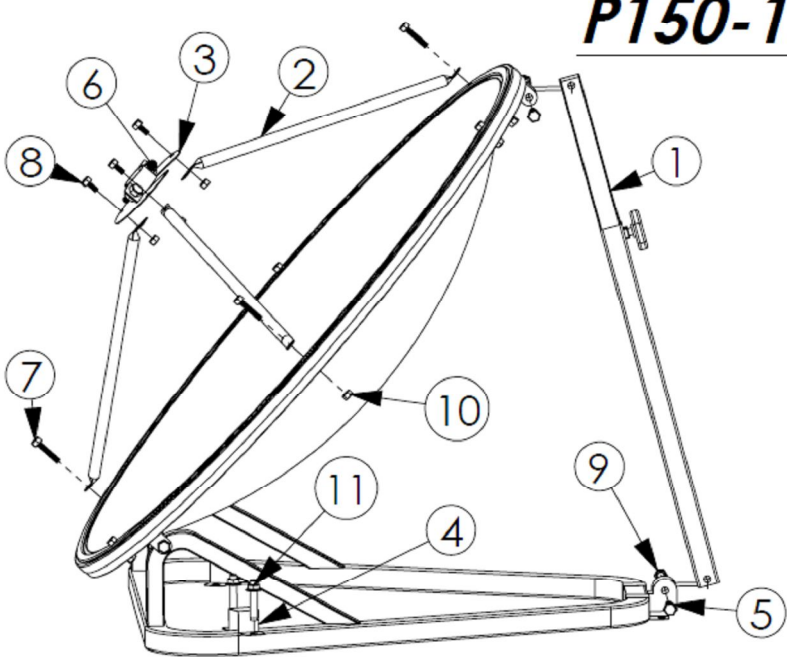













● 150cm 不銹鋼碟形天線規格



P150-1P



NO	ITEM	DESCRION	QTY
1		BEHIND SUPPORTER	1
2		LNB SUPPORTER	3
3		SEAT OF LNB	1
4		FIXING CLAMP	4
5		5/16"X1 1/2"HEX-HEAD SCREW	4
6		5/16"X1"HEX-HEAD SCREW	2
7		4/1"X1 1/2"HEX-HEAD SCREW	6
8		4/1"X 1/2"HEX-HEAD SCREW	3
9		5/16" HEX NUT	6
10		1/4" HEX NUT	9
11		1/4"X1 1/2"ANCHOR BOLT	8

MODEL	P150-1P
REFLECTOR DIAMETER (盤面直徑)	150cm
C -BAND GAIN 3.40-4.20 GHZ	34.32db
KU -BAND GAIN 10.70-12.75 GHZ	44.27db
EFFICIENCY	75%
F/D	0.35
FOCAL LENGTH	50.5cm



150cm 不銹鋼碟形天線案例照片 *2 張